

## SPECIFICATION

MODEL:SOM-G2L-OSM



## Confirmation

REVISION HISTORY					
VERSION	DATE	BOARD ID	PAGE	DESCRIPTION	AUTHOR
V1.0	2022/8/22	RRZ220413_V1.0	18	specification	

APPROVED BY GENIATECH		
PREPARED BY 编写	CHECKED BY 审核	APPROVED BY 批准

Please return the original copy after approved by your company with stamp and signature.

请在贵公司盖章并签字后寄回正本一份。

APPROVED BY CUSTOMER		
COMMENTS 确认意见	APPROVED BY 批准签字	COMPANY STAMP 盖章

Website: [www.geniatech.com](http://www.geniatech.com)

Address: Room 02-04, 10 / F, Block A, Building 8, Shenzhen International Innovation Valley, Dashi Road, Nanshan District, Shenzhen, Guangdong, China.

## Contents

<b>1. General Description .....</b>	<b>1</b>
<b>2. Product Pictures .....</b>	<b>1</b>
<b>3. Board View .....</b>	<b>2</b>
<b>3.1 Dimension .....</b>	<b>2</b>
<b>3.2 Block Diagram .....</b>	<b>3</b>
<b>4. Features .....</b>	<b>3</b>
<b>5. Support Formats .....</b>	<b>4</b>
<b>5.1 Audio .....</b>	<b>4</b>
<b>5.2 Video Decoder .....</b>	<b>4</b>
<b>5.3 Image Scaling Unit .....</b>	<b>5</b>
<b>6. Module Pin Definition .....</b>	<b>5</b>
<b>7. Precautions for use .....</b>	<b>15</b>

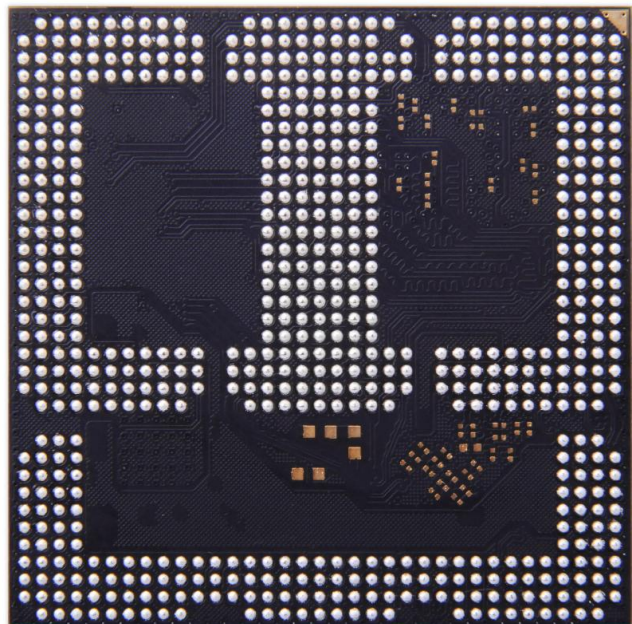
## 1. General Description

SOM-G2L-OSM are based on Renesas low power highly efficient powerful RZ/G2L SoC, which is including a high-performance 64-bit Dual-core processor. RZ-G2L is equipped with dual-core Cortex-A55+Cortex-M33 processor and integrates high-performance Mail-G31 GPU. It is suitable for industrial control, human-computer interaction, data gateway, edge computing and other application scenarios. Below is the detailed specification:

- (I) the size is only 45mm x 45mm, which can save more precious space
- (II) 2GB RAM, 16GB eMMC flash
- (III) Supports MIPI-DSI interface, double Gigabit Ethernet
- (IV) With rich interfaces such as I2C, UART, SPI, SDIO3.0, USB2.0, PWM, I2S and others
- (VI) Supports Linux operating system, the performance is stable and reliable
- (VII) Stable operation at -40 °C ~ 85 °C working temperature for 7X24 hours
- (VIII) 10 year product availability

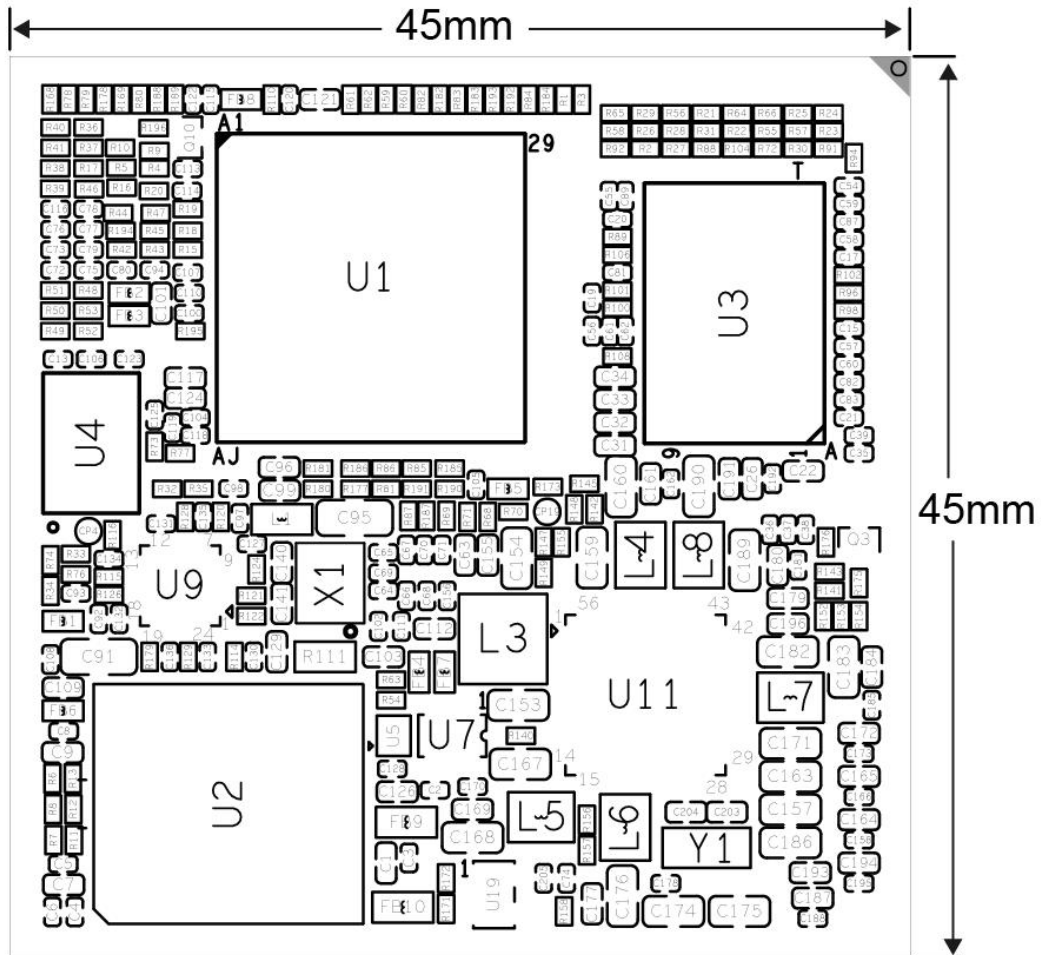
## 2. Product Pictures

Below pictures are for reference only:

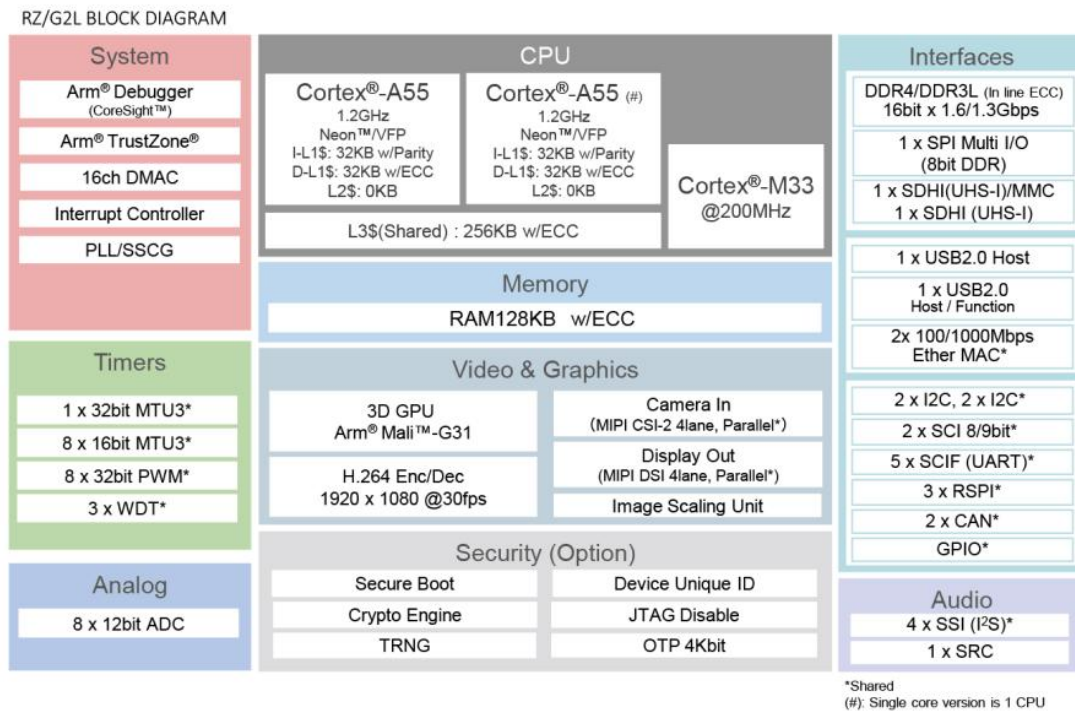


## 3.Board View

### 3.1 Dimension



### 3.2 Block Diagram



### 4.Features

Chip	Renesas RZ-G2L	
Market area	Global	
OSD Language	English/Chinese(multi language OSD)	
Processor	CPU	Dual-core Cortex-A55+Cortex-M33
	GPU	Mali-G31 GPU
	RAM	2GB(4G Optional)
	ROM	16GB (8G/32G Optional)
Network	Ethernet	RJ45*2, 1000M
	WiFi	Extend WiFi & Bluetooth via SDIO3.0

Display	Support RGB/MIPI-DSI interface, Resolution up to 1920x1080
USB	1 x USB Host2.0 , 1 x USB OTG 2.0
Interface	I2C, UART, SPI, SDIO3.0, USB2.0, PWM, RMII, I2S,CAN,GPIO,ADC
Dimensions	45 mm *45 mm
Adapter	DC input voltage 5V

## 5. Support Formats

### 5.1 Audio

- 4 channels bidirectional serial transfer
- 2 external clock sources available
- Full Duplex communication (channel 0, 1, and 3)
- Support of I2S / Monaural / TDM audio formats
- Support of master and slave functions
- Generation of programmable word clock and bit clock
- Multi-channel formats
- Support of 8, 16, 18, 20, 22, 24, and 32-bit data formats
- Support of 32-stage FIFO for transmission and reception
- Support of LR-clock continue function in which the LR-clock signal is not stopped

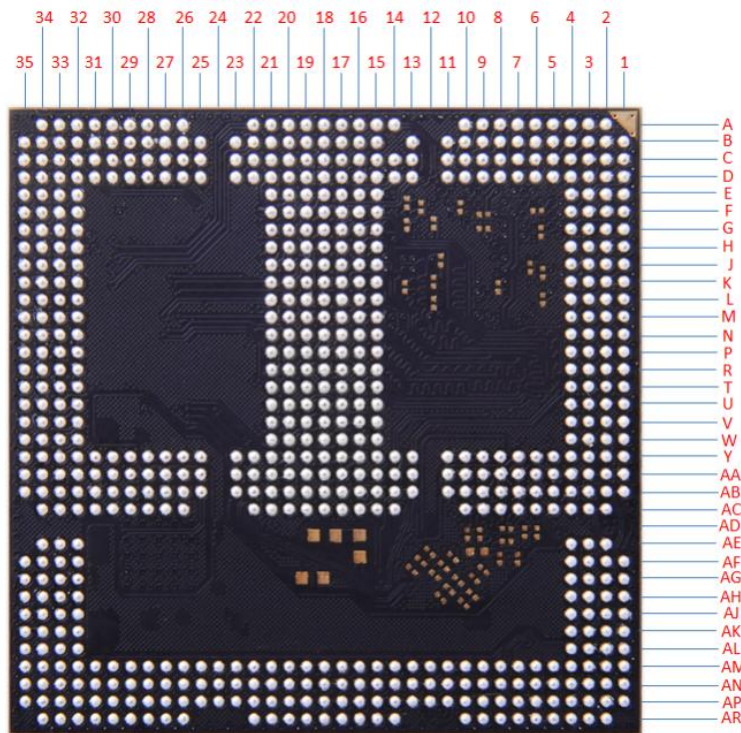
### 5.2 Video Decoder

- H.264 Codec module
- Encoding / Decoding support
  - H.264 / AVC (High Profile / Main Profile / Baseline Profile)
  - H.264 / MVC (Stereo High Profile)
- Color format (input in encoding): YCbCr 4:2:0 semi-planar supported
- Color format (output in decoding): YCbCr 4:2:0 semi-planar supported

### 5.3 Image Scaling Unit

- Scaling down function with bilinear interpolation
- Input image Size (max): 5M (2800 × 2047)
- Output image Size (max): Full HD (1920 × 1080)
- Support Color format Conversion
- RGB / ARGB / YcbCr422 / YcbCr420 / RAW (Grayscale)

### 6. Module Pin Definition



PIN	Default function	PIN	Default function
A2	CSI_DATA1_N	A3	CSI_DATA1_P
A4	GND	A5	CSI_DATA2_N
A6	CSI_DATA2_P	A7	GND
A8	NC	A9	NC
A10	GND	A14	SCIF1_RXD
A15	NC	A16	NC
A17	NC	A18	NC
A19	NC	A20	NC
A21	NC	A22	NC
A26	GND	A27	NC



A28	NC	A29	GND
A30	NC	A31	NC
A32	GND	A33	NC
A34	NC	B1	CSI_DATA0_P
B2	GND	B3	CSI_CLKN
B4	CSI_CLKP	B5	GND
B6	CSI_DATA3_N	B7	CSI_DATA3_P
B8	GND	B9	GND
B10	NC	B11	NC
B13	SCIF1_TXD	B15	NC
B16	NC	B17	NC
B18	NC	B19	NC
B20	NC	B21	NC
B22	ET1_MDIO	B23	NC
B25	NC	B26	NC
B27	GND	B28	GND
B29	VDD_SD0_M	B30	GND
B31	NC	B32	NC
B33	GND	B34	NC
B35	NC	C1	CSI_DATA0_N
C2	CAM_MCLK	C3	RIIC_SDA
C4	RIICO_SCL	C5	VREF_DDR
C6	NC	C7	NC
C8	NC	C9	NC
C10	NC	C11	GND
C13	SCIF1_RTS	C14	SCIF1_CTS
C15	NC	C16	ET1_MDC
C17	NC	C18	NC
C19	NC	C20	NC
C21	NC	C22	NC
C23	NC	C25	GND
C26	NC	C27	NC
C28	NC	C29	NC
C30	NC	C31	NC
C32	GND	C33	NC
C34	NC	C35	GND

D1	GND	D2	NC
D3	RZ_P15_1	D4	RZ_P16_1
D5	GND	D6	NC
D7	NC	D8	GND
D9	NC	D10	NC
D11	NC	D13	SCIF2_TXD
D14	SCIF2_RXD	D15	SCIF2_RTS
D16	SCIF2_CTS	D17	RZ_P0_0
D18	GND	D19	RZ_P42_2
D20	NC	D21	NC
D22	SCIF0_RXD	D23	SCIF0_TXD
D25	NC	D26	NC
D27	NC	D28	GND
D29	NC	D30	NC
D31	NC	D32	NC
D33	NC	D34	GND
D35	NC	E1	NC
E2	GND	E3	RZ_P16_1
E4	RZ_P17_0	E15	GND
E16	NC	E17	RZ_P0_1
E18	NC	E19	RZ_P43_0
E20	NC	E21	GND
E32	NC	E33	NC
E34	NC	E35	NC
F1	ET1_TXD1	F2	ET1_TXD3
F3	RZ_P17_1	F4	RZ_P17_2
F15	NC	F16	GND
F17	RZ_P1_0	F18	NC
F19	RZ_P43_1	F20	GND
F21	NC	F32	NC
F33	GND	F34	NC
F35	GND	G1	ET1_TXD0
G2	ET1_TXD2	G3	RZ_P2_0
G4	RZ_P40_2	G15	ET0_TXD1
G16	ET0_TXD3	G17	RZ_P1_1
G18	NC	G19	RZ_P43_2

G20	NC	G21	NC
G32	NC	G33	NC
G34	GND	G35	NC
H1	ET1_TXC	H2	GND
H3	NC	H4	GND
H15	ET0_TXD0	H16	ET0_TXD2
H17	RZ_P2_1	H18	NC
H19	RZ_P43_3	H20	NC
H21	NC	H32	GND
H33	NC	H34	NC
H35	NC	J1	ET1_RXD0
J2	ET1_TX_CTL	J3	DISP_nRST(RGB_RESET)
J4	DISP_DE(RGB_DE)	J15	ET0_TXC
J16	GND	J17	RZ_P3_0
J18	NC	J19	RZ_P47_0
J20	GND	J21	NC
J32	NC	J33	GND
J34		J35	GND
K1	ET1_RXD1	K2	ET1_RX_ERR
K3	DISP_HSYNC(RGB_HSYNC)	K4	DISP_PWREN(RGB_DISP)
K15	ET0_RXD0	K16	ET0_TX_CTL
K17	RZ_P3_1	K18	NC
K19	RZ_P47_1	K20	SD1_CLK
K21	SD1_CMD	K32	NC
K33	NC	K34	GND
K35	NC	L1	ET1_RX_CTL
L2	GND	L3	DISP_VSYNC(RGB_VSYNC)
L4	GND	L15	ET0_RXD1
L16	ET0_RX_ERR	L17	RZ_P4_1
L18	GND	L19	RZ_P47_2
L20	SD1_DATA0	L21	SD1_DATA1
L32	NC	L33	NC
L34	NC	L35	
M1	ET1_RXD2	M2	NC
M3	DISP_DATA17(RGB_B5)	M4	DISP_CLK(RGB_CLK)
M15	ET0_RX_CTL	M16	GND

M17	D1.1V_M	M18	ADC_CH0
M19	D1.8V_M	M20	GND
M21	SD1_DATA2	M32	NC
M33	NC	M34	NC
M35	GND	N1	ET1_RXD3
N2	NC	N3	DISP_DATA15(RGB_B3)
N4	DISP_DATA16(RGB_B4)	N15	ET0_RXD2
N16	NC	N17	TCK_SWCLK(JTAG_TCK_SWCLK)
N18	ADC_CH1	N19	TMS_SWDIO(JTAG_TMS_SWDIO)
N20	SD1_DATA3	N21	NC
N32	NC	N33	NC
N34	GND	N35	NC
P1	ET1_RXC	P2	GND
P3	DISP_DATA14(RGB_B2)	P4	GND
P15	ET0_RXD3	P16	NC
P17	TDI(JTAG_TDI)	P18	GND
P19	NC	P20	NC
P21	NC	P32	NC
P33	NC	P34	NC
P35		R1	GND
R2	NC	R3	DISP_DATA13(RGB_B1)
R4	DISP_DATA12(RGB_B0)	R15	ET0_RXC
R16	GND	R17	TDO_SWO(JTAG_TDO_SWO)
R18	NC	R19	TRST_N(JTAG_nTRST)
R20	GND	R21	NC
R32	NC	R33	NC
R34	NC	R35	NC
T1	NC	T2	NC
T3	DISP_DATA10(RGB_G4)	T4	DISP_DATA11(RGB_G5)
T15	ET0_MDIO	T16	ET0_MDC
T17	NC	T18	NC
T19	NC	T20	NC
T21	SD1_CD	T32	NC
T33	NC	T34	GND
T35	NC	U1	NC
U2	GND	U3	DISP_DATA9(RGB_G3)

U4	GND	U15	QSPI1_IO0
U16	QSPI1_SPCLK	U17	SYS_RESET
U18	D1.8V/3.3V_M	U19	BOOT_SET_N
U20	SD1_WP	U21	SD1_PWR_EN
U32	NC	U33	NC
U34	NC	U35	NC
V1	GND	V2	NC
V3	DISP_DATA7(RGB_G1)	V4	DISP_DATA8(RGB_G2)
V15	QSPI1_IO1	V16	GND
V17	PMIC_EXT_EN	V18	I2S_MCLK
V19	I2S0_SDIN	V20	GND
V21	NC	V32	NC
V33	NC	V34	NC
V35	NC	W1	NC
W2	NC	W3	GND
W4	DISP_DATA6(RGB_G0)	W15	QSPI1_IO3
W16	QSPI1_IO2	W17	VBAT_RTC_3V3
W18	I2S0_LRCK	W19	S2S0_SDOOUT
W20	I2S0_BCK	W21	NC
W32	NC	W33	NC
W34	GND	W35	NC
Y1	NC	Y2	GND
Y3	D3.3V_M	Y4	DISP_DATA5(RGB_R5)
Y5	DISP_DATA4(RGB_R4)	Y6	DISP_DATA2(RGB_R2)
Y7	DISP_DATA0(RGB_R0)	Y8	VCC5V0_SYS
Y9	VCC5V0_SYS	Y10	VCC5V0_SYS
Y11	VCC5V0_SYS	Y13	NC
Y14	NC	Y15	QSPI1_SSL
Y16	D1.2V_M	Y17	VCC5V0_SYS
Y18	GND	Y19	NC
Y20	VDD_SD0_M	Y21	RSPI1_CK
Y22	RSPI1_MISO	Y23	RSPI1_MOSI
Y25	VCC5V0_SYS	Y26	VCC5V0_SYS
Y27	VCC5V0_SYS	Y28	VCC5V0_SYS
Y29	NC	Y30	NC
Y31	NC	Y32	NC

Y33	NC	Y34	NC
Y35	NC	AA1	GND
AA2	NC	AA3	NC
AA4	GND	AA5	DISP_DATA3(RGB_R3)
AA6	DISP_DATA1(RGB_R1)	AA7	GND
AA8	GND	AA9	PMIC_PWRON
AA10	GND	AA11	GND
AA13	NC	AA14	GND
AA15	RIIC1_SCL	AA16	RIIC1_SDA
AA17	GND	AA18	NC
AA19	GND	AA20	RIIC2_SCL
AA21	RIIC2_SDA	AA22	GND
AA23	RSPI1_SSL	AA25	GND
AA26	GND	AA27	GND
AA28	GND	AA29	NC
AA30	NC	AA31	NC
AA32	GND	AA33	VTTREF_DDR
AA34	NC	AA35	NC
AB1	NC	AB2	NC
AB3	GND	AB4	DSI_DATA3_P
AB5	DSI_DATA3_N	AB6	GND
AB7	DSI_CLKP	AB8	DSI_CLKN
AB9	GNE	AB10	DSI_DATA0_P
AB11	DSI_DATA0_N	AB13	USB0_DM
AB14	USB0_OTG_ID	AB15	GND
AB16	USB_A_VBUS	AB17	CAN0_RX
AB18	NC	AB19	CAN1_RX
AB20	NC	AB21	GND
AB22	NC	AB23	USB1_DM
AB25	NC	AB26	NC
AB27	NC	AB28	GND
AB29	NC	AB30	NC
AB31	GND	AB32	NC
AB33	NC	AB34	GND
AB35	NC	AC2	NC
AC3	NC	AC4	GND

AC5	DSI_DATA2_P	AC6	DSI_DATA2_N
AC7	GND	AC8	DSI_DATA1_P
AC9	DSI_DATA1_N	AC10	GND
AC14	USB0_DP	AC15	USB0_OVRCUR_N
AC16	USB0_VBUSEN	AC17	CAN0_TX
AC18	DEBUG_EN	AC19	CAN1_TX
AC20	USB1_VBUSEN	AC21	USB1_OVRCUR_N
AC22	USB1_DP	AC26	NC
AC27	GND	AC28	NC
AC29	NC	AC30	GND
AC31	NC	AC32	NC
AC33	GND	AC34	NC
AE2	GND	AE3	NC
AE4	VCC5V0_SYS	AE32	NC
AE33	NC	AE34	GND
AF1	NC	AF2	NC
AF3	NC	AF4	VCC5V0_SYS
AF32	NC	AF33	NC
AF34	NC	AF35	GND
AG1	NC	AG2	NC
AG3	GND	AG4	VCC5V0_SYS
AG32	NC	AG33	NC
AG34	NC	AG35	NC
AH1	NC	AH2	GND
AH3	VCC5V0_SYS	AH4	VCC5V0_SYS
AH32	NC	AH33	NC
AH34	GND	AH35	NC
AJ1	NC	AJ2	NC
AJ3	VCC5V0_SYS	AJ4	VCC5V0_SYS
AJ32		AJ33	
AJ34	NC	AJ35	GND
AK1	NC	AK2	NC
AK3	GND	AK4	VCC5V0_SYS
AK32	NC	AK33	NC
AK34	NC	AK35	NC
AL1	NC	AL2	GND

AL3	NC	AL4	NC
AL32	NC	AL33	NC
AL34	GND	AL35	NC
AM1	NC	AM2	NC
AM3	NC	AM4	NC
AM5	NC	AM6	NC
AM7	NC	AM8	NC
AM9	NC	AM10	NC
AM11	NC	AM12	NC
AM13	GND	AM14	NC
AM15	NC	AM16	GND
AM17	NC	AM18	NC
AM19	GND	AM20	NC
AM21	NC	AM22	GND
AM23	NC	AM24	NC
AM25	NC	AM26	NC
AM27	NC	AM28	NC
AM29	NC	AM30	NC
AM31	NC	AM32	NC
AM33	NC	AM34	NC
AM35	GND		
AN1	NC	AN2	NC
AN3	GND	AN4	NC
AN5	NC	AN6	GND
AN7	NC	AN8	NC
AN9	GND	AN10	NC
AN11	GND	AN12	NC
AN13	NC	AN14	NC
AN15	GND	AN16	NC
AN17	NC	AN18	GND
AN19	NC	AN20	NC
AN21	GND	AN22	NC
AN23	NC	AN24	NC
AN25	NC	AN26	NC
AN27	NC	AN28	NC
AN29	NC	AN30	NC



AN31	NC	AN32	NC
AN33	GND	AN34	NC
AN35	NC		
AP1	NC	AP2	GND
AP3	NC	AP4	NC
AP5	GND	AP6	NC
AP7	NC	AP8	GND
AP9	NC	AP10	NC
AP11	NC	AP12	NC
AP13	GND	AP14	NC
AP15	NC	AP16	GND
AP17	NC	AP18	NC
AP19	GND	AP20	NC
AP21	NC	AP22	GND
AP23	NC	AP24	NC
AP25	GND	AP26	NC
AP27	NC	AP28	GND
AP29	NC	AP30	NC
AP31	GND	AP32	NC
AP33	NC	AP34	GND
AP35	NC		
AR2	NC	AR3	NC
AR4	NC	AR5	NC
AR6	NC	AR7	NC
AR8	NC	AR9	NC
AR10	NC	AR14	GND
AR15	NC	AR16	NC
AR17	GND	AR18	NC
AR19	NC	AR20	GND
AR21	NC	AR22	NC
AR26	GND	AR27	NC
AR28	NC	AR29	GND
AR30	NC	AR31	NC
AR32	GND	AR33	NC
AR34	NC		

## 7. Precautions for use

1. Relative humidity: 10% ~ 90% .
2. Storage temperature: -40 ~ 125 °C
3. Operation temperature: -40 °C ~ 85 °C
4. Do not squeeze、 distort or disassemble the board.
5. Keep the board away from static electricity .
6. Keep the board away from water and other liquid.
7. Clean the board with soft and clean dry cloth when it's dirty.
8. Don't use long connect wires which may affect performance and image quality.