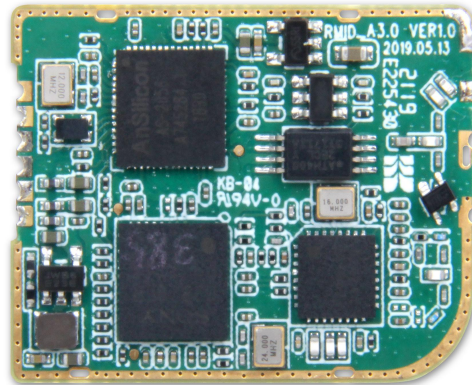


ATSC3.0 USB Module

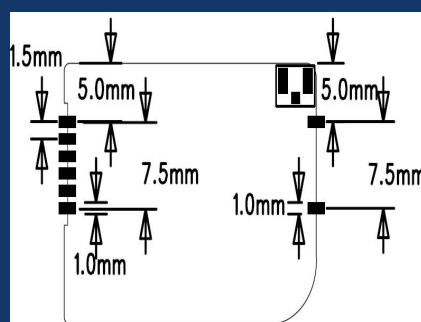
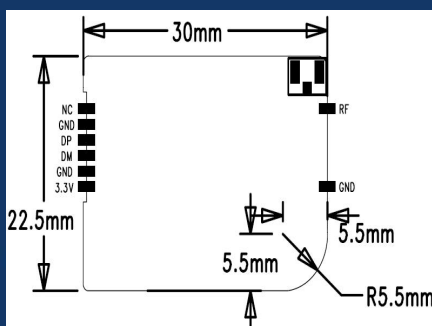
MA683



Geniatech MA683 TV Tuner Module is a module that supports ATSC 3.0, a new standard for terrestrial television in USA and Korea. The module can be used for getting TV stream for decoding by the main SoC, like a PC, notebook, Linux STB and Android devices, through USB2.0 interface. It provides ATSC 1.0/3.0 digital TV and transforms your Android tablet into a flat panel TV. It is fully compatible with ATSC 1.0/3.0 digital TV standard.

- Small foot print
- Sony tuner and demodulator inside
- USB2.0 interface to host SoC
- Low power consumption

Module dimension drawing:



Product Specification

Input Signal:

75 Ohm Digital TV Antenna Input

Receive Frequency: TV 57 ~ 803 MHz

ATSC compliant 8-VSB

Open Cable , ANSI/SCTE DVS-031,ITU-T J.83 Annex B, and DOCSIS compliant 64/256 QAM

ATSC3.0:

FEC length:16200, 64800

FEC code:BCH, CRC+LDPC

Code Rate:2/15, 3/15, 4/15, 5/15, 6/15, 7/15, 8/15, 9/15, 10/15, 11/15, 12/15, 13/15

Constellation:QPSK,NUC,16QAM, 64QAM, 256QAM, 1024QAM, 4096QAM

Transmission mode:SISO, MISO, MIMO, Channel bonding

FFT size:8K, 16K, 32K

Max bitrate:SISO 8 MHz 78.5 Mbps - 2x2 MIMO 8 MHz 157Mbps

Frame duration:from 50ms to 5s

PLP number:from 1 up to 64 (min 4 in parallel for demod)

Versatile PLP mapping:TDM, FDM, TFD, LDM

De-Multiplexing:

Max No. Section filtering: 32PIDS

Engine: Software

Stream capture: PES & TSA/V Format

Recording Format:

Video Format: mpg-II Main Profile & Main Level

Audio Format: mpg-II Audio Layer I & II

Support OS :

Android, Linux, Windows

Power consumption:

0.6W