

深圳金亚太科技有限公司
Shenzhen Geniatech Co.,Ltd.

OPS3399-SPECIFICATION

深圳金亚太科技有限公司
Shenzhen Geniatech Co.,Ltd.

SPECIFICATION

MODEL:OPS3399(RK3399)



Confirmation

REVISION HISTORY					
VERSION	DATE	BOARD ID	PAGE	DESCRIPTION	AUTHOR
V1.0	2020/03/24	OPS3399	7	specification	Olivia Chen

APPROVED BY GENIATECH		
PREPARED BY 编写	CHECKED BY 审核	APPROVED BY 批准
Olivia Chen	JOE Wu	JOE Wu

Please return the original copy after approved by your company with stamp and signature.
请在贵公司盖章并签字后寄回正本一份。

APPROVED BY CUSTOMER		
COMMENTS 确认意见	APPROVED BY 批准签字	COMPANY STAMP 盖章

Website: www.geniatech.com

Address: 18th Floor, GDC Building, No 9th, Gaoxin Middle 3rd Road, Nanshan,
Shenzhen, China

CONTENT

1.GENERAL DESCRIPTION.....	1
2.PRODUCT PICTURES.....	1
3.FEATURES.....	3
4.SUPPORT FORMATS.....	4
5. PRECAUTIONS FOR USE	7

1. GENERAL DESCRIPTION

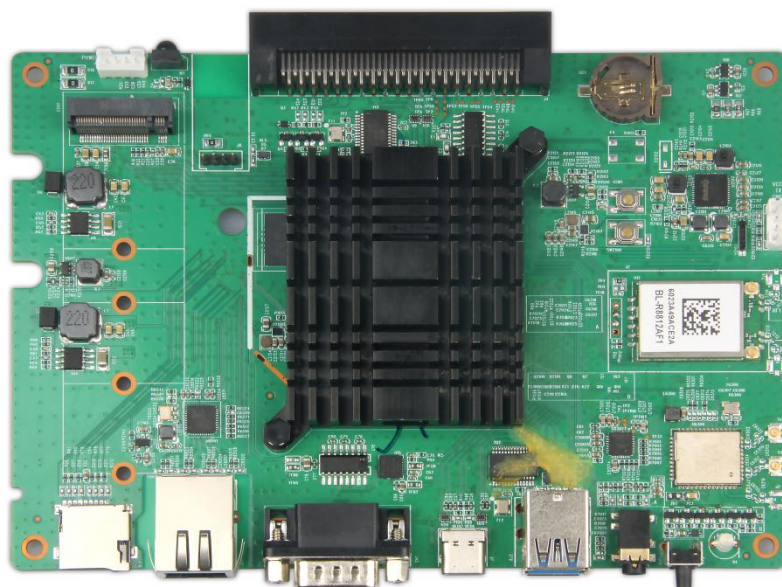
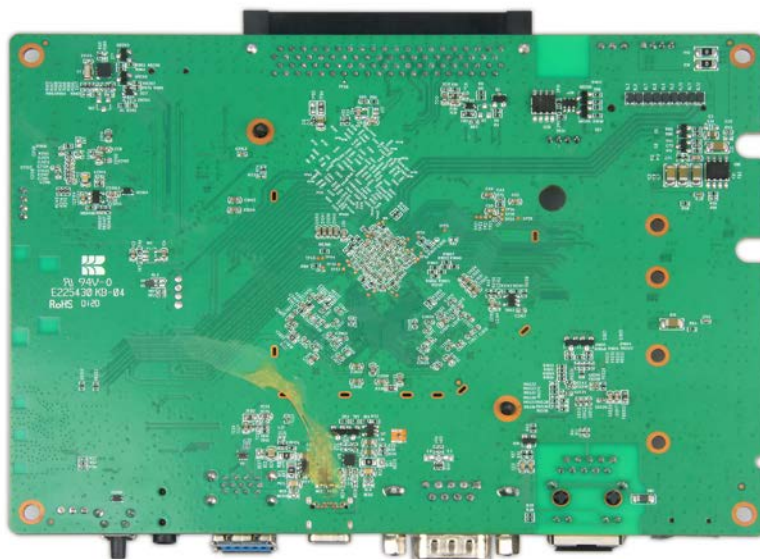
Ops3399 is a high-end customized development board of Geniatech. It can be applied to business meetings, projection meetings and other application scenarios. It has the functions of document sharing, real-time writing board, intelligent screen casting, etc. Below is the detailed specification:

- (I) Rockchip RK3399 with Dual-core ARM Cortex-A72 MPCore processor and Quad-core ARM Cortex-A53MPCore processor
- (II) 4GB LPDDR4, 32GB eMMC flash
- (III) 80 Pin Connector(Intel),M2, Micro SD, USB3.0*2, Type-C, headphone (audio out/mic in)
- (IV) WiFi 2.4G + BT + 5G ac and 1000M LAN interface
- (V) Support Micro SD card(TF card : Max256G)
- (VI) Designed for retail, interactive communication
- (VII) Dimensions:180x119x30mm

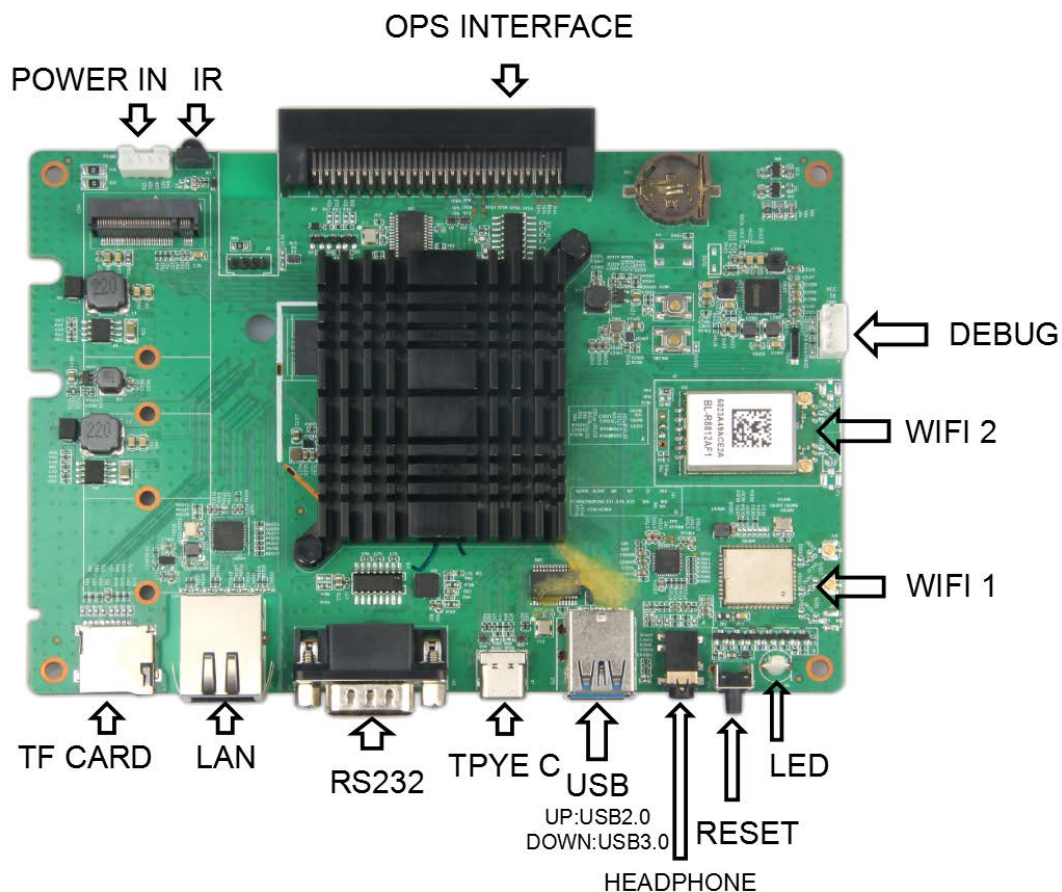
2. PRODUCT PICTURES

Below pictures are for reference only:





2.1 BOARD FRONT VIEW



3.FEATURES

Chipset	Rockchip RK3399	
Market area	Global	
OSD Language	English/Chinese(multi language OSD)	
OS	Android 7.1	
Processor	CPU	Dual-core ARM A72 processor@ 1.8GHz And Quad Core A53 @ 1.4GHz
	GPU	ARM Mali-T860MP4 GPU 800MHz

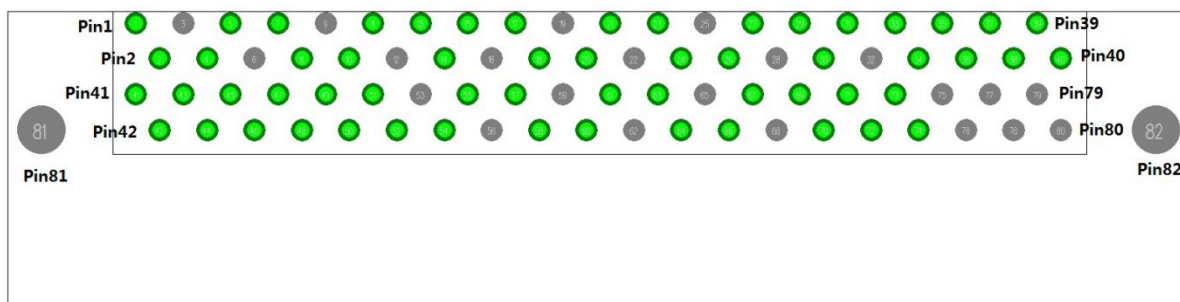
	DDR	4GB (2G Optional)
	EMMC FLASH	32GB (8G/16G/64G Optional)
Network	Ethernet	RJ45, 10/100/1000M
	WiFi 1	IEEE 802.11a/b/g/n/ac , 2.4G + BT + 5.8G @2T2R
	WiFi 2	IEEE 802.11a/b/g/n/ac , 2.4G + 5.8G @2T2R
Interface	Micro SD	Micro SD *1(max. 256GB)
	80 Pin Connector(Intel)	JAE TX25A 80-pin connector
	USB	USB 3.0*1,USB 2.0*1
	Power IN	Power IN headpin
	M.2	M.2*1
	Type-C	USB3.0 &DP output
	3.5mm jack	Headphone(audio out/mic in)
	DB9 port	RS-232
	Reset	Reset*1
	LED	Power LED*1
IR receiver	Infrared remote control	
Dimensions	180 mm * 119 mm * 30 mm	
Adapter	DC12~19V	
Accessory	WiFi antenna	

4.Support Formats

Media Remark	Codec
--------------	-------

Video	VP9 Profile-2 up to 4Kx2K@60fps
	H.265 HEVC MP-10@L5.1 up to 4Kx2K@60fps
	H.264 AVC HP@L5.1 up to 4Kx2K@30fps
	H.264 MVC up to 1080P @60fps
	MPEG-4 ASP@L5 up to 1080P@60fps (ISO-14496)
	WMV/VC-1 SP/MP/AP up to 1080P@60fps
	AVS-P16(AVS+) /AVS-P2 JiZhun Profile up to 1080P@60fps
	MPEG-2 MP/HL up to 1080P@60fps (ISO-13818)
	MPEG-1 MP/HL up to 1080P@60fps (ISO-11172)
	RealVideo 8/9/10 up to 1080P@60fps
	WebM up to VGA
	Multiple language and multiple format sub-title video support
	MJPEG and JPEG unlimited pixel resolution decoding (ISO/IEC-10918)
Supports JPEG thumbnail, scaling, rotation and transition effects	
Supports *.mkv,*.wmv,*.mpg, *.mpeg, *.dat, *.avi, *.mov, *.iso, *.mp4, *.rm and *.jpg file formats	
Audio	Supports MP3, AAC, WMA, RM, FLAC, Ogg, Dolby Digital Optional , Dolby Digital Plus Optional , DTS Optional and programmable with 7.1/5.1 down-mixing
Photo	H.264, jpeg, jpg,

4.1 Extension GPIO definition



Pin	Default Function	Pin	Default Function
1	NC	41	NC
2	NC	42	NC
3	GND	43	NC
4	NC	44	NC
5	NC	45	NC
6	GND	46	NC
7	NC	47	NC
8	NC	48	NC
9	GND	49	NC
10	NC	50	NC
11	NC	51	EXT_UART_RX
12	GND	52	EXT_UART_TX
13	NC	53	GND
14	NC	54	NC
15	NC	55	NC
16	GND	56	GND
17	HDMI_TX_CN	57	NC
18	HDMI_TX_CP	58	NC
19	GND	59	GND
20	HDMI_TX_ON	60	HUB_USB3_DM
21	HDMI_TX_OP	61	HUB_USB3_DP
22	GND	62	GND
23	HDMI_TX_1N	63	HUB_USB2_DM
24	HDMI_TX_1P	64	HUB_USB2_DP
25	GND	65	GND
26	HDMI_TX_2N	66	HUB_USB1_DM
27	HDMI_TX_2P	67	HUB_USB1_DP
28	GND	68	GND
29	HDMI_SDA	69	EXT_LINE_OUT_L
30	HDMI_SCL	70	EXT_LINE_OUT_R
31	HDMI_HPD	71	HDMI_CEC
32	GND	72	GND

33	DCIN_12V-DC19V	73	PS_ON
34	DCIN_12V-DC19V	74	PG
35	DCIN_12V-DC19V	75	GND
36	DCIN_12V-DC19V	76	GND
37	DCIN_12V-DC19V	77	GND
38	DCIN_12V-DC19V	78	GND
39	DCIN_12V-DC19V	79	GND
40	DCIN_12V-DC19V	80	GND
82	GND	81	GND

5.Precautions for use

1. Relative humidity: 10% ~ 90% .
2. Storage temperature: -25 ~ 120°C
3. Operation temperature: 0~ 80
4. Do not squeeze、 distort or disassemble the board.
5. Keep the board away from static electricity .
6. Keep the board away from water and other liquid.
7. Clean the board with soft and clean dry cloth when it's dirty.
8. Don't use long connect wires which may affect performance and image quality.